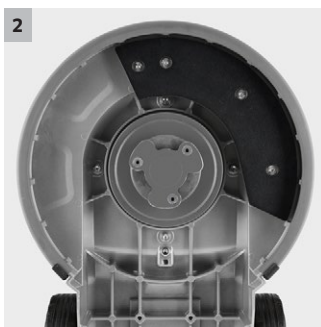




## BDS 43/150 C Classic

The BDS 43/150 C Classic is a very robust single-disc machine for diverse floor cleaning applications. With maintenance-free planet carrier and powerful 1,500 watt motor.



### 1 Powerful motor

- Extremely robust and durable design.
- Powerful for numerous applications.

### 2 Robust planet carrier

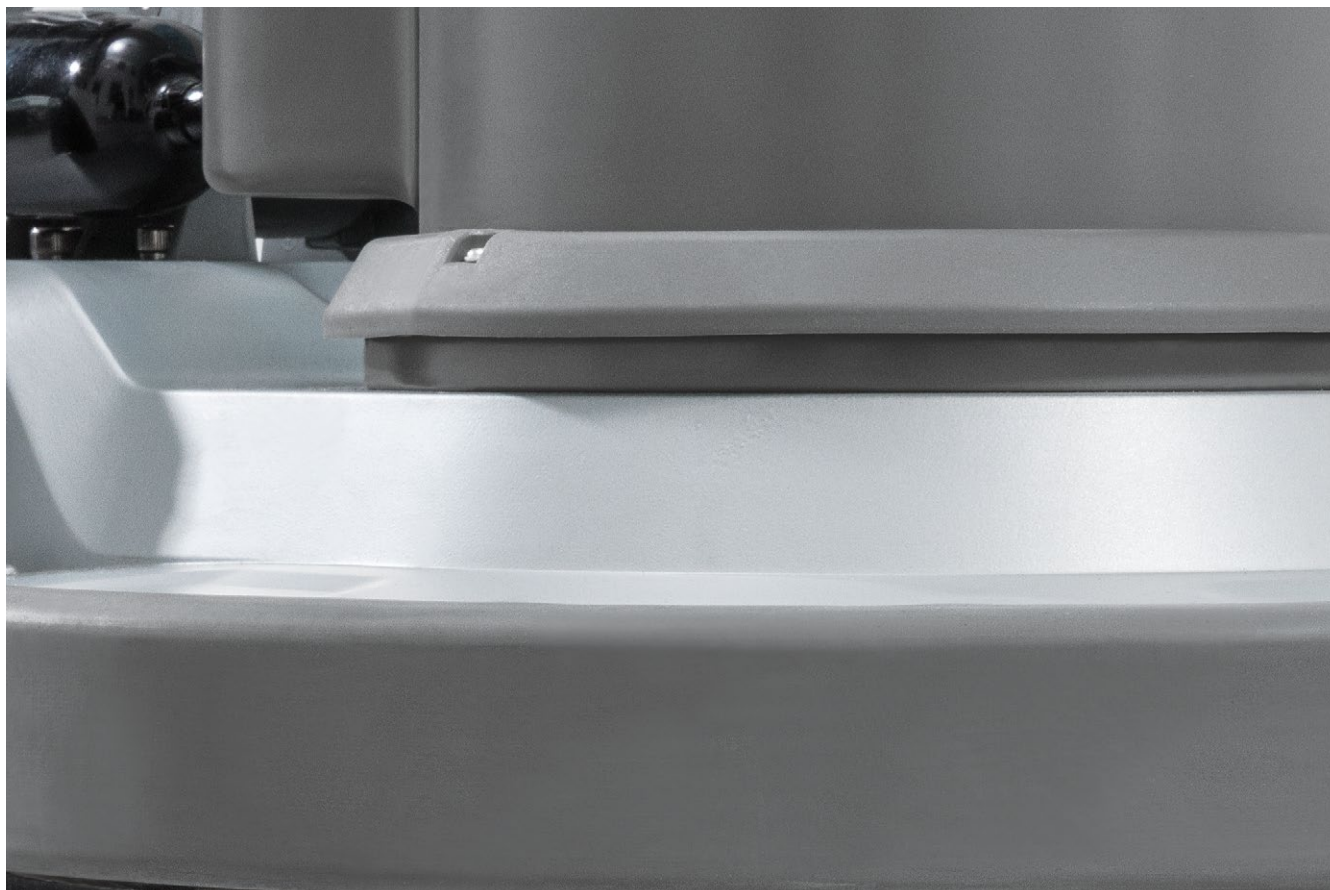
- Made from hard-wearing metal gear wheels. Reduced wear and tear and maintenance costs compared with belt gear.
- Higher torque than a conventional belt gear.

### 3 Easy operation

- Convenient and easy handling.
- Excellent balance and quiet operation.

### 4 Integrated power outlet

- For connection to a suction unit, which reduces dust.
- Increases cleaning performance.



## BDS 43/150 C Classic

- Robust and reliable
- Powerful and versatile
- Easy operation

### Technical data

<b>Order no.</b>	1.291-243.0	
<b>EAN code</b>	4054278276731	
<b>Working width</b>	mm	430
<b>Working height</b>	mm	90
<b>Rated input power / Amps</b>	W	1500
<b>Brush speed</b>	rpm	150
<b>Sound pressure level</b>	dB(A)	63
<b>Current type</b>	V / Hz	220-240 / 50
<b>Weight (with accessories)</b>	kg	43
<b>Dimensions (L × W × H)</b>	mm	590 × 430 × 1180

### Equipment

<b>Mains operation</b>		■
<b>Tank, optional</b>	l	10
<b>Pad drive board</b>		■

■ Included in the scope of supply.

# BDS 43/150 C CLASSIC

## 1.291-243.0

**KÄRCHER**



		Order no.	Hardness / Brush type	Diameter	Colour	Quantity	Price	Description	
<b>Pad drive board</b>									
Pad drive board	1	6.369-899.0		430 mm		1 piece(s)		Pad driver plate (low speed) for cleaning with pads using machines up to 200 rpm. 420 mm diameter. With quick-change coupling and centre lock.	■
<b>Microfibre pad</b>									
Microfibre pad	2	6.905-526.0	microfibre	410 mm	White	5 piece(s)		Excellent cleaning power. Cleans even pores of fine stoneware tiles.	□
<b>Pads</b>									
Pad	3	6.369-471.0	soft	432 mm	blue	5 piece(s)		5 pads, soft, blue. 432 mm diameter. For cleaning all floors.	□
	4	6.369-469.0	very soft	432 mm	White	5 piece(s)		5 polishing pads, very soft, white, without grit, 432 mm diameter. For polishing floors.	□
	5	6.371-149.0	soft	432 mm	beige / natural	5 piece(s)		With natural hair, for polishing. Effectively removes scuff marks.	□
	6	6.371-081.0	soft	432 mm	beige	5 piece(s)		Soft, with slight grain, for polishing.	□
	7	6.369-470.0	medium-soft	432 mm	red	5 piece(s)		5 pads, medium-soft, red, 432 mm diameter. For cleaning all floors.	□
	8	6.369-472.0	medium-hard	432 mm	green	5 piece(s)		5 pads, medium-hard, green, 432 mm diameter. For removing stubborn dirt and basic cleaning.	□
	9	6.369-473.0	hard	432 mm	black	5 piece(s)		5 pads, hard, black, 432 mm diameter. For removing stubborn dirt and basic cleaning.	□
<b>Diamond pad</b>									
Diamond pad	10	6.371-257.0	medium	432 mm	yellow	5 piece(s)		Yellow diamond pad (medium) with a diameter of 432 mm for coarse cleaning and restoration. Removes fine scratches and ensures a more homogeneous and shinier surface.	□
	11	6.371-238.0	fine	432 mm	green	5 piece(s)		Green diamond pad (fine) with a diameter of 432 mm. For effortless polishing of laminated floors, terrazzo and natural stone surfaces.	□
	12	6.371-256.0	coarse	432 mm	White	5 piece(s)		White diamond pad (coarse) with a diameter of 432 mm for coarse cleaning and restoration. Removes small scratches, for a clean, silky matt surface.	□
<b>Accessories for sanding</b>									
Sanding board	13	6.369-934.0		430 mm		1 piece(s)		For concrete floors.	□
Drive board for sandpaper	14	6.369-902.0		405 mm		1 piece(s)		With Centerlock for attaching sandpaper.	□
Sandpaper, 36 grit	15	6.990-008.0		410 mm		10 piece(s)		Coarse, 36 grit. For the initial sanding of parquet.	□
Sandpaper, 60 grit	16	6.990-009.0		410 mm		10 piece(s)		Medium, 60 grit. For the interim sanding of parquet.	□
Sandpaper, grain 100	17	6.990-007.0		410 mm		10 piece(s)		Fine sandpaper (granulation: 100) with a diameter of 440 mm. For the final sanding of bare wood or as an interim sanding before the final sealing.	□

■ Included in the scope of supply. □ Available accessories.

# BDS 43/150 C CLASSIC

## 1.291-243.0



		Order no.	Hardness / Brush type	Diameter	Colour	Quantity	Price	Description	
<b>Disc brushes</b>									
Disc brush	1	6.369-897.0	soft	430 mm	natural	1 piece(s)		Polishing brush.	<input type="checkbox"/>
	2	6.369-895.0	medium	430 mm	red	1 piece(s)		Scrubbing brush.	<input type="checkbox"/>
	3	6.369-898.0	hard	430 mm	black	1 piece(s)		Scrubbing brush, GRIT.	<input type="checkbox"/>
Shampooing brush	4	6.369-896.0	medium-soft	430 mm	blue / white	1 piece(s)		Shampooing brush.	<input type="checkbox"/>

■ Included in the scope of supply. □ Available accessories.

# BDS 43/150 C CLASSIC

## 1.291-243.0



		Order no.	Length	Colour	Quantity	Price	Description	
<b>Miscellaneous</b>								
Extension cable	1	6.647-022.0	20 m		1 piece(s)		Extension cable, 20 m, 3x1.5 mm <sup>2</sup> . With splash-proof earthing pin plug, strain relief and anti-kink sleeve.	<input type="checkbox"/>
Supplementary weight, 10 kg	2	2.642-802.0			1 piece(s)		The 10 kg additional weight increases the contact pressure, making more effective coating removal, grinding, crystallising, etc. possible.	<input type="checkbox"/>
Complete tank	3	9.753-058.0			1 piece(s)		Enables easy application of the cleaning fleet. Capacity: 10 l.	<input type="checkbox"/>
Filling hose	4	6.680-124.0	1.5 m		1 piece(s)		1,500-mm filling hose for easy device filling from a water tap. With universal tapered fitting for all standard taps.	<input type="checkbox"/>

■ Included in the scope of supply. □ Available accessories.

# BDS 43/150 C CLASSIC

## 1.291-243.0



		Order no.	Length	Diameter	Quantity	Price	Description	
<b>Other attachment kits</b>								
Suction ring 43 cm/17"	1	4.071-223.0			1 piece(s)		Reduces dust development when sanding, crystallising, polishing or cleaning in conjunction with a wet and dry vacuum cleaner or the suction unit.	<input type="checkbox"/>

Included in the scope of supply.
  Available accessories.